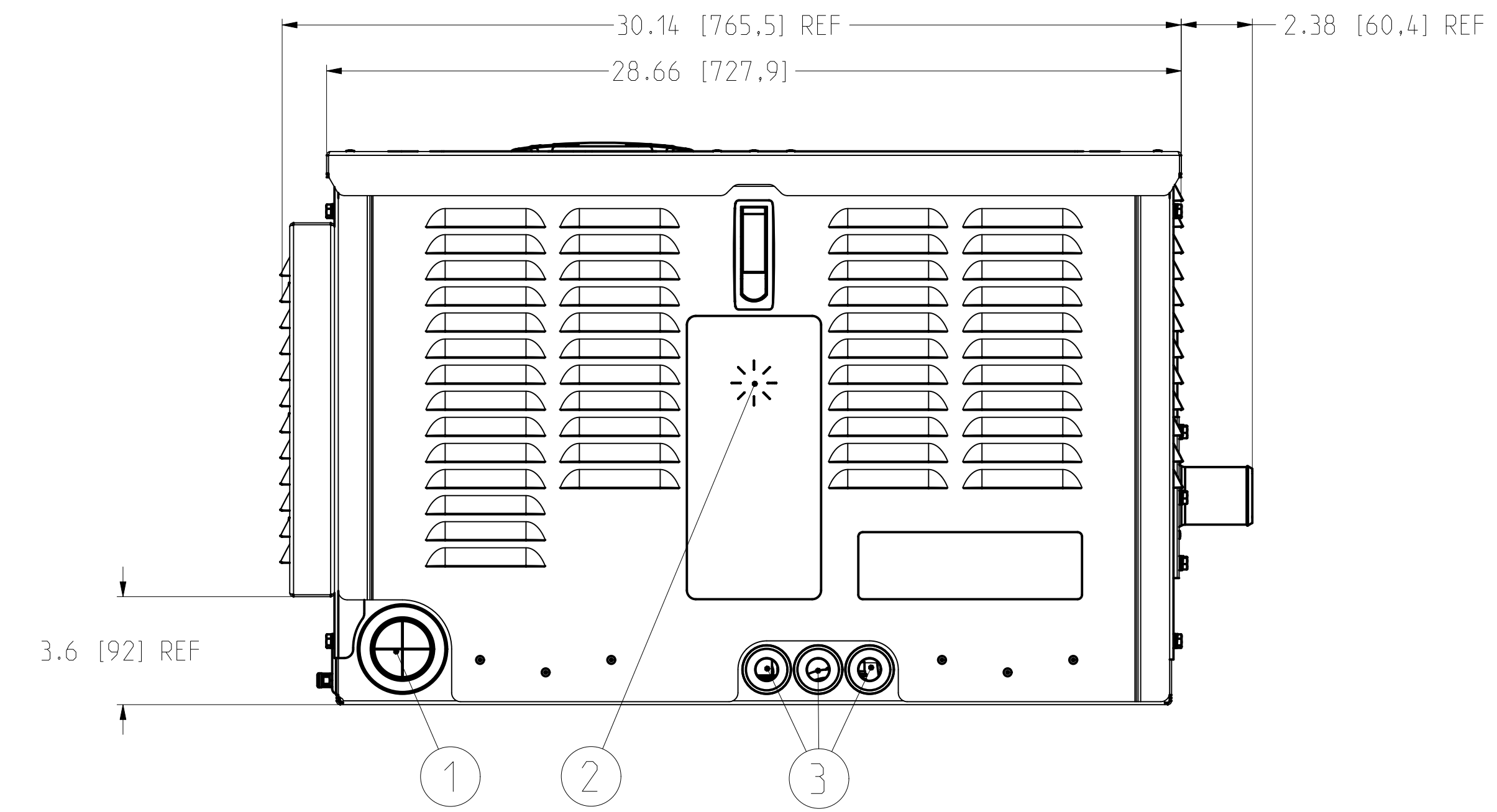
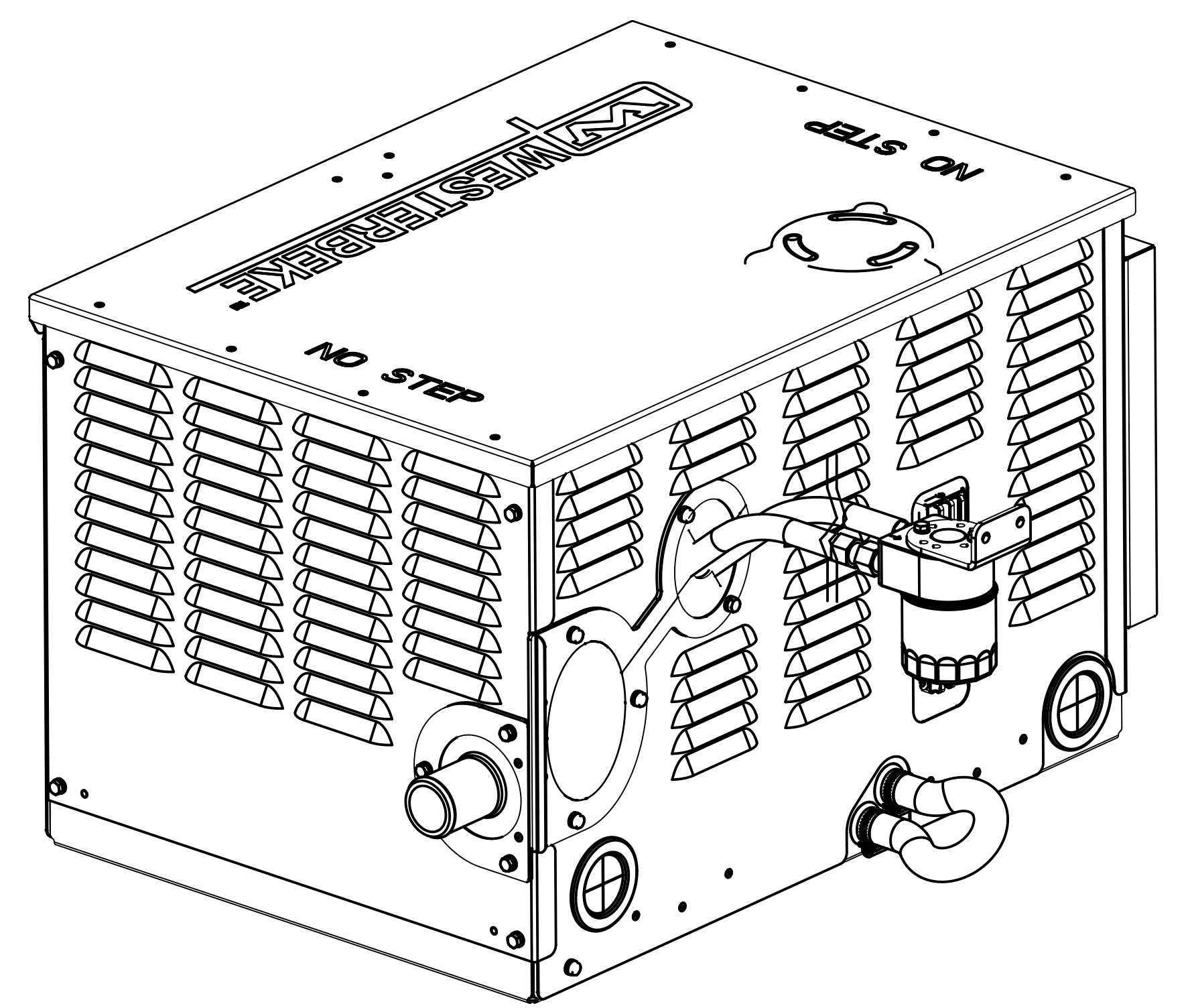
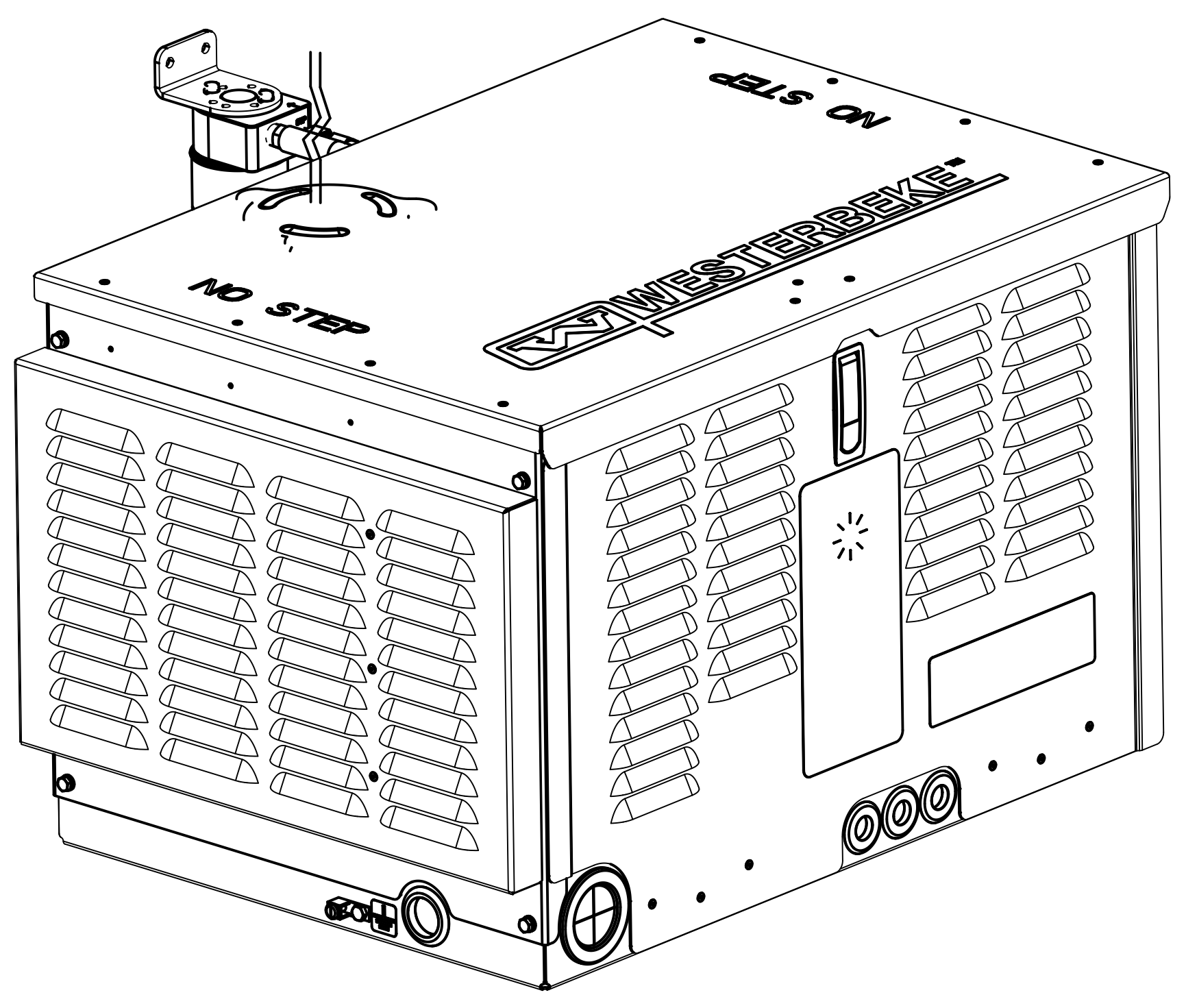
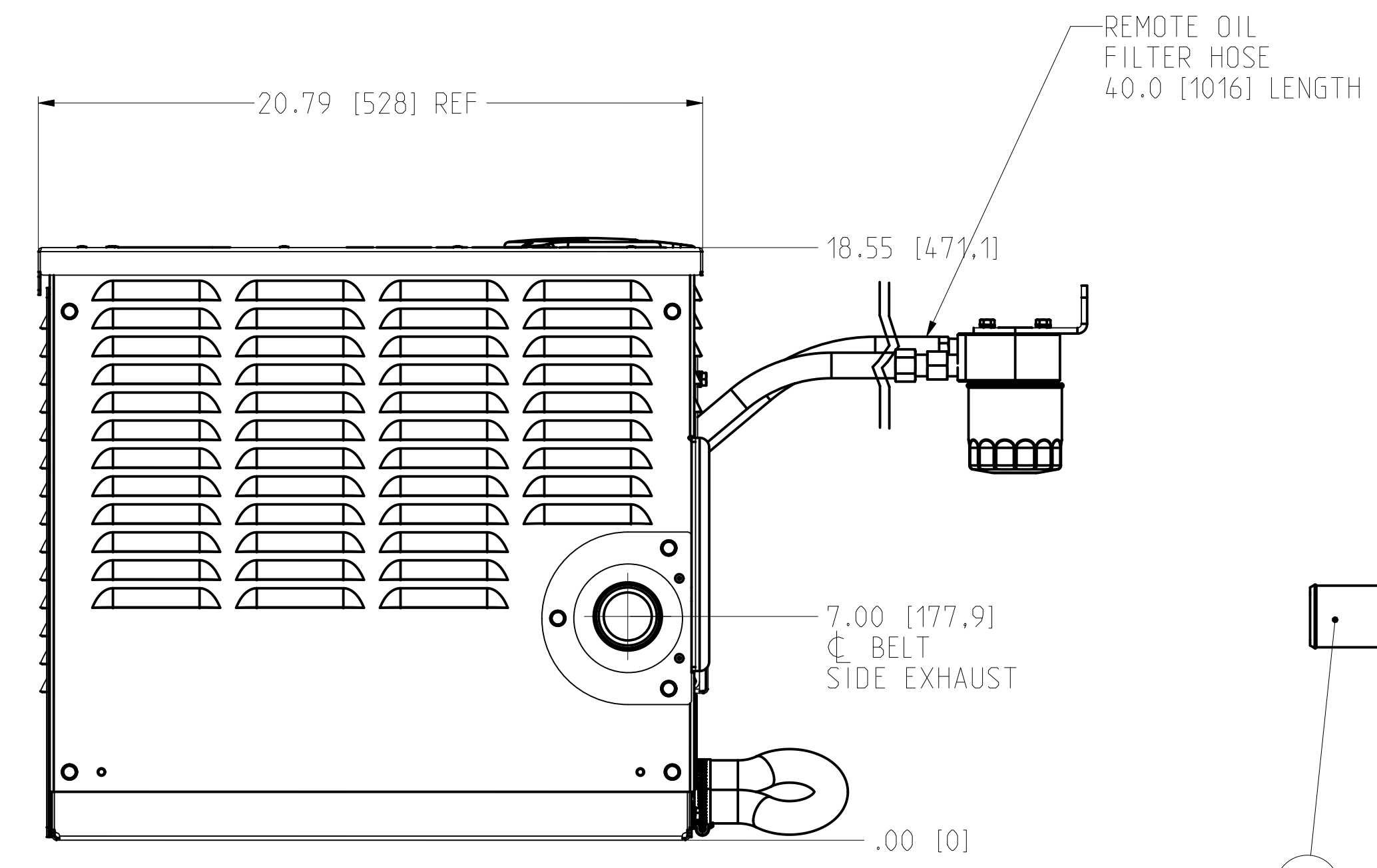


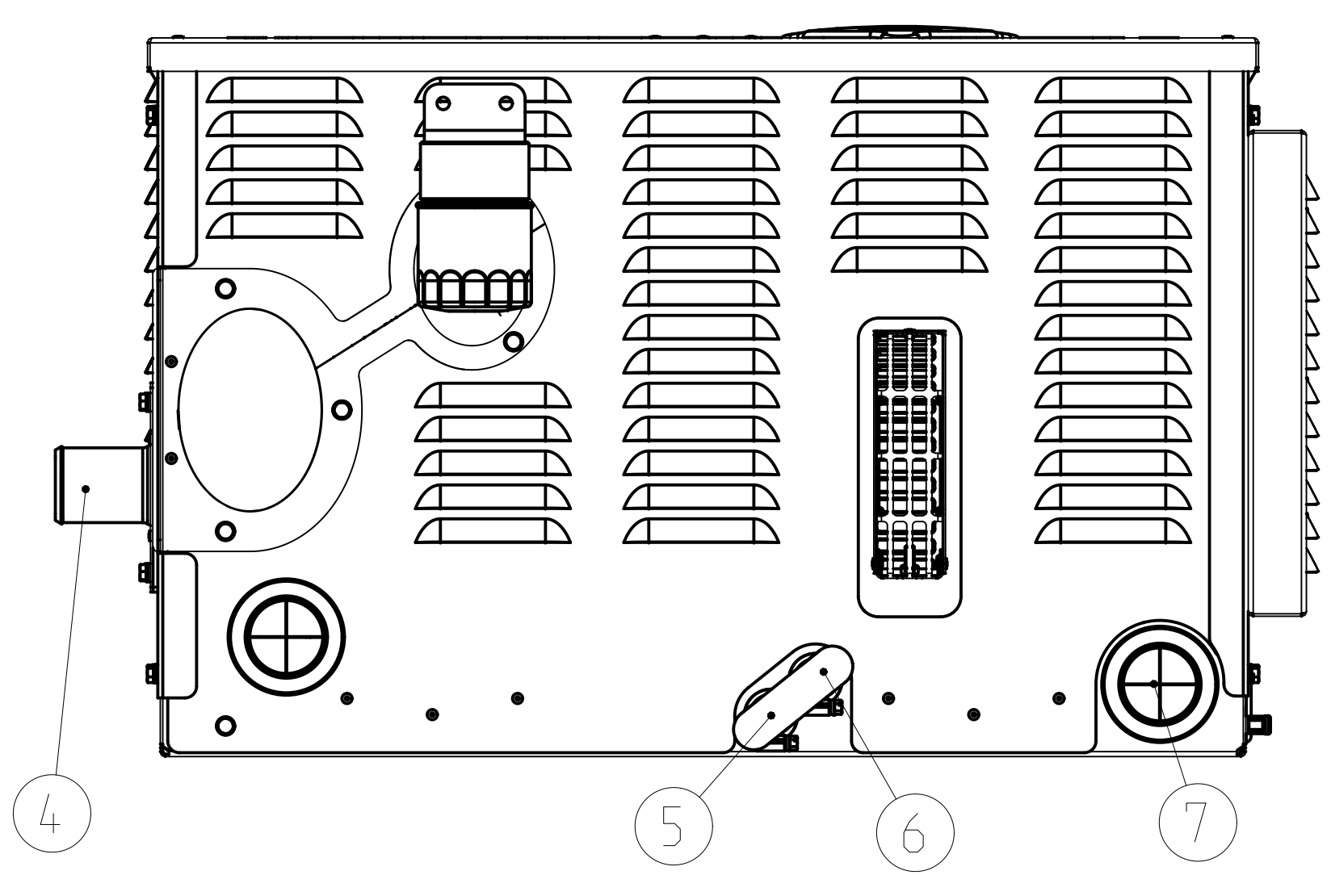
TOP



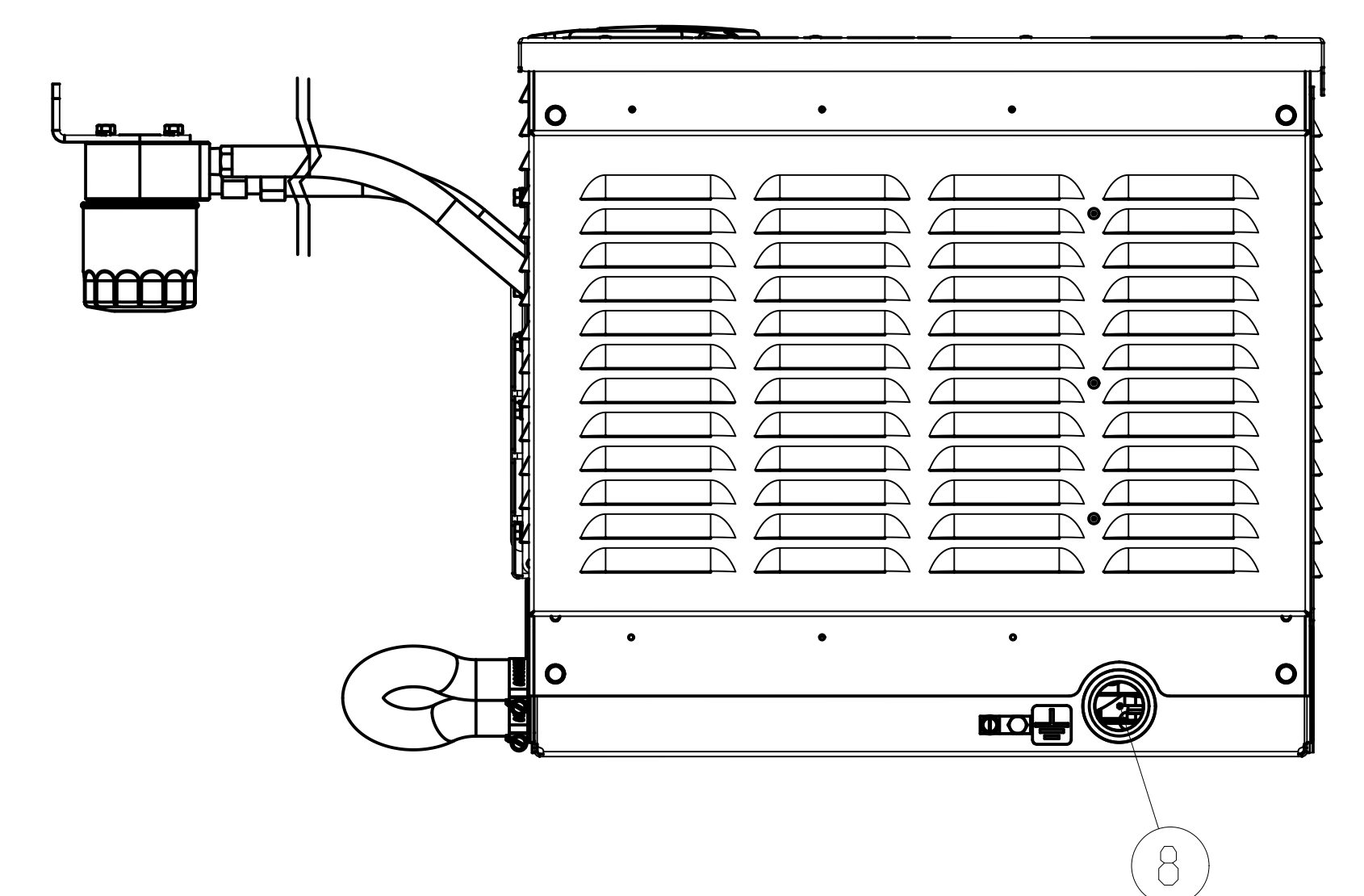
SERVICE SIDE



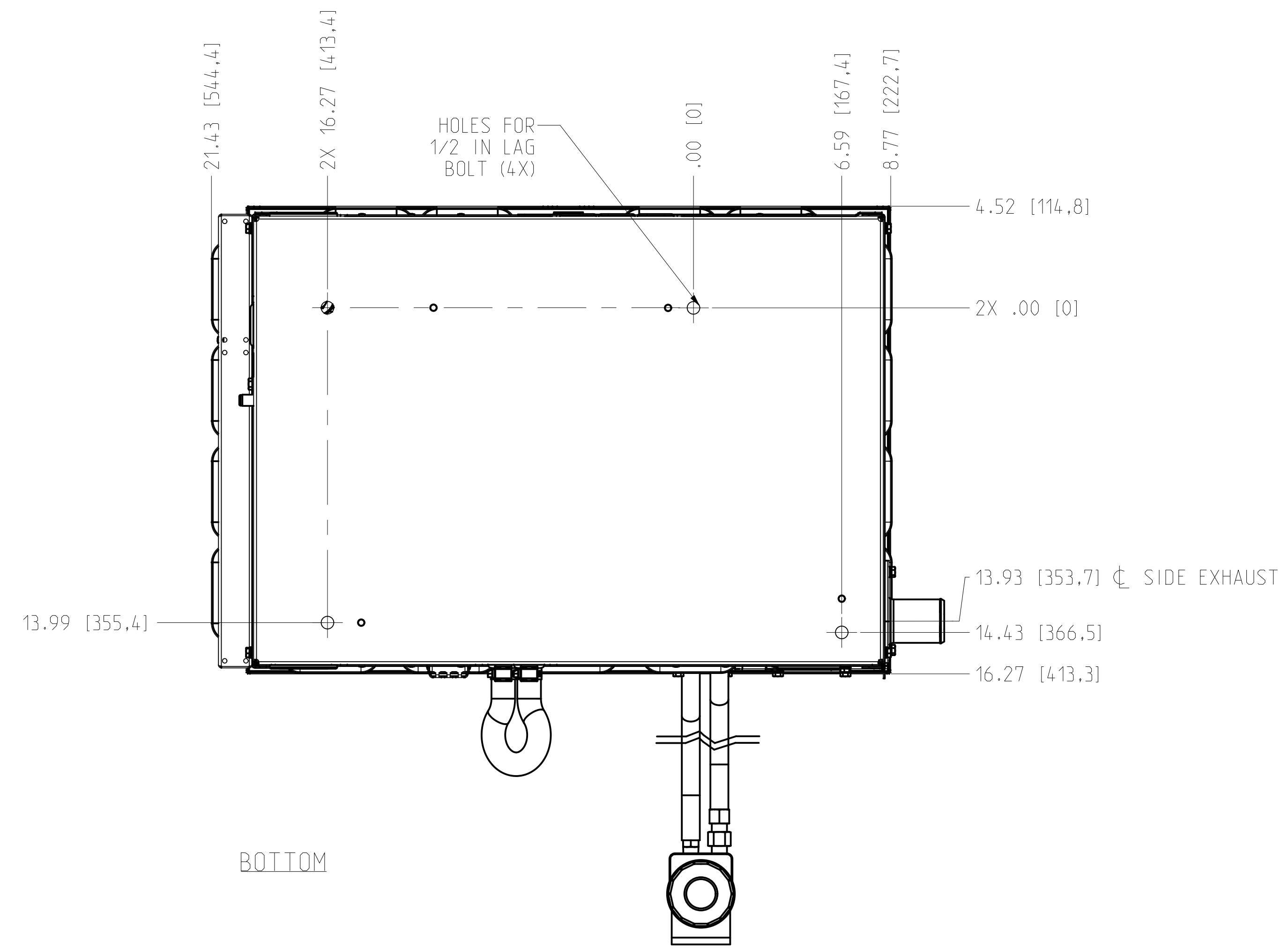
BELT END



NON-SERVICE SIDE



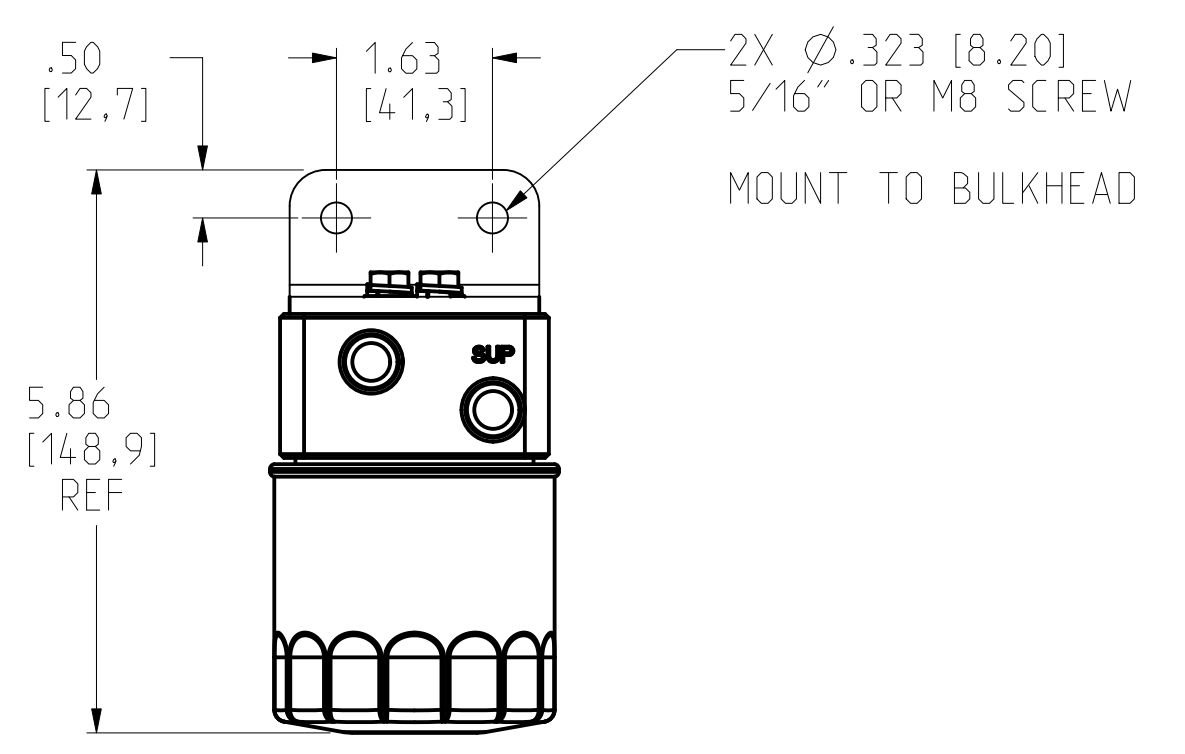
GENERATOR END



BOTTOM

SIDE EXHAUST OPTION SHOWN

ITEM	CONNECTIONS
1	REMOTE PANEL CABLE PASS-THROUGH FIRE BOY CABLE PASS-THROUGH
2	FIRE EXTINGUISHER PORT
3	BATTERY (NEG) CABLE PASS-THROUGH BATTERY (POS) CABLE PASS-THROUGH FUEL LINE PASS-THROUGH, REQUIRES 1/8-27 NPT MALE TO CONNECT TO GENSET INTERNALLY
4	WET EXHAUST, REQUIRES 2 IN ID HOSE TO CONNECT
5	RAW WATER OUTLET (TO SIPHON BREAK), REQUIRES 3/4 IN ID HOSE TO CONNECT
6	RAW WATER INLET (FROM SIPHON BREAK), REQUIRES 3/4 IN ID HOSE TO CONNECT
7	AC POWER CABLE PASS-THROUGH COOLANT OVERFLOW PASS-THROUGH, REQUIRES 5/16 IN ID HOSE TO CONNECT TO GENSET INTERNALLY
8	RAW WATER INLET PASS-THROUGH, REQUIRES 3/4 IN ID HOSE TO CONNECT TO GENSET INTERNALLY
9	ACCESS TO A/C CIRCUIT BREAKER



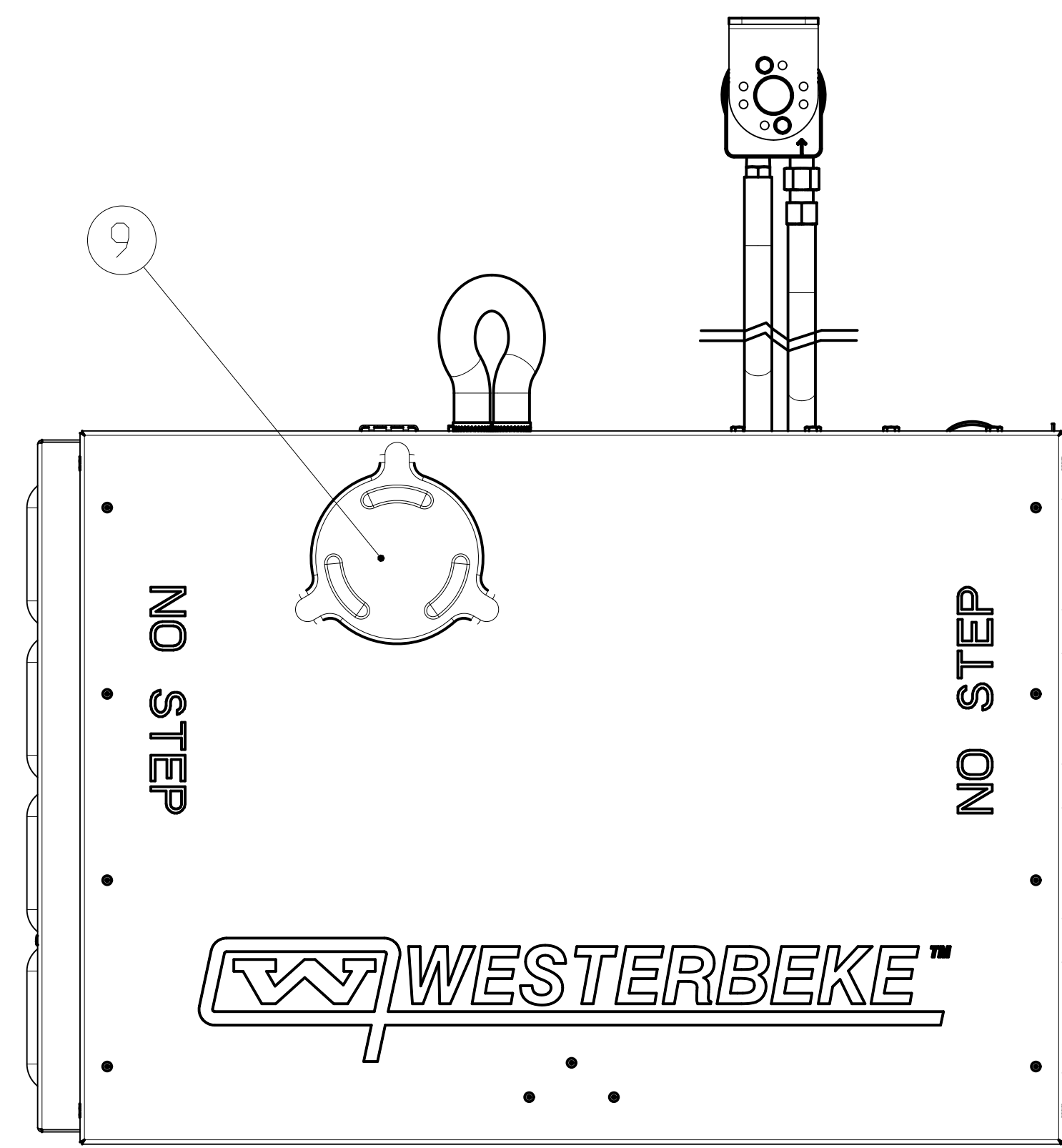
REMOTE OIL FILTER MOUNT

SCALE 0.500

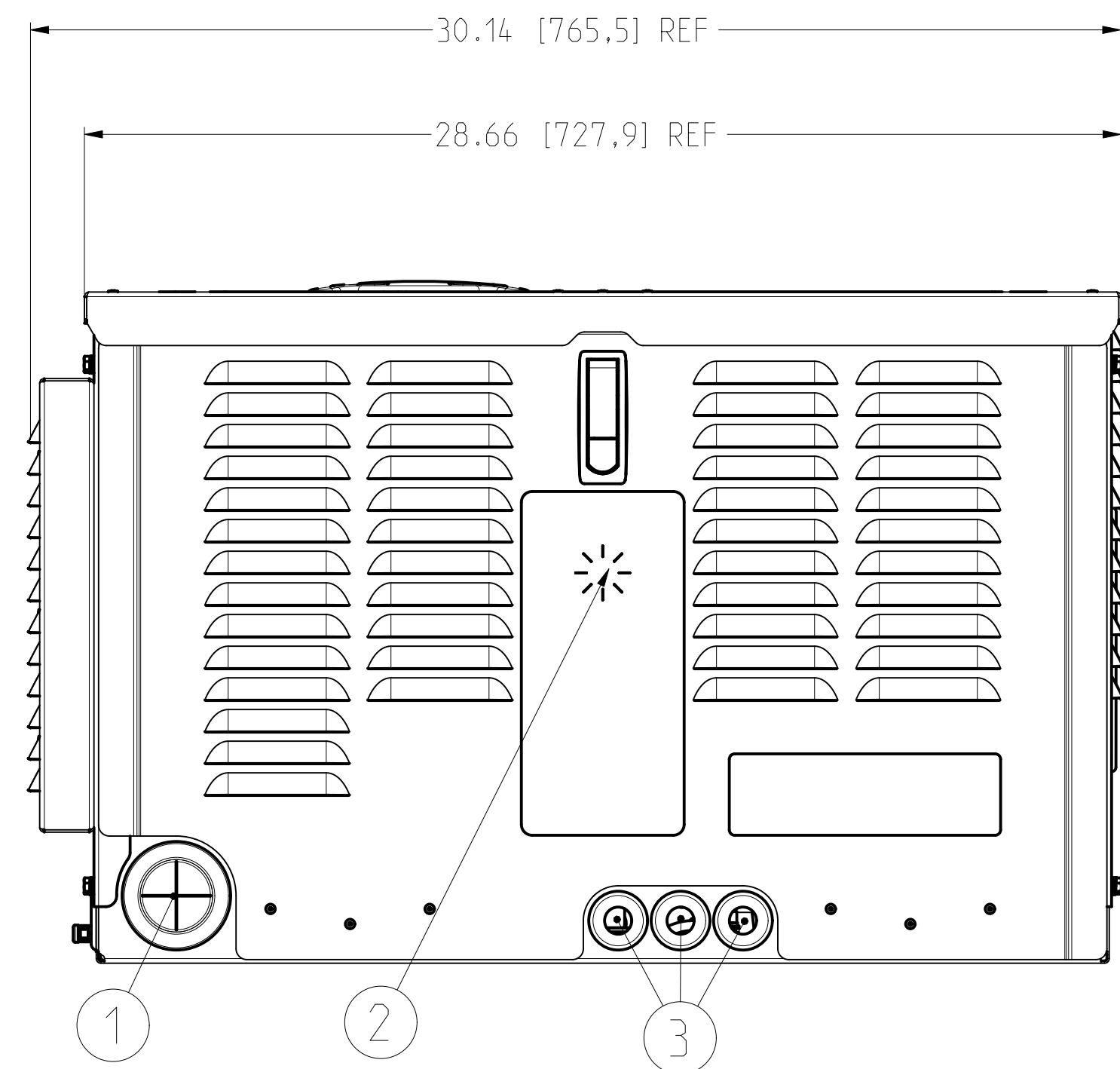
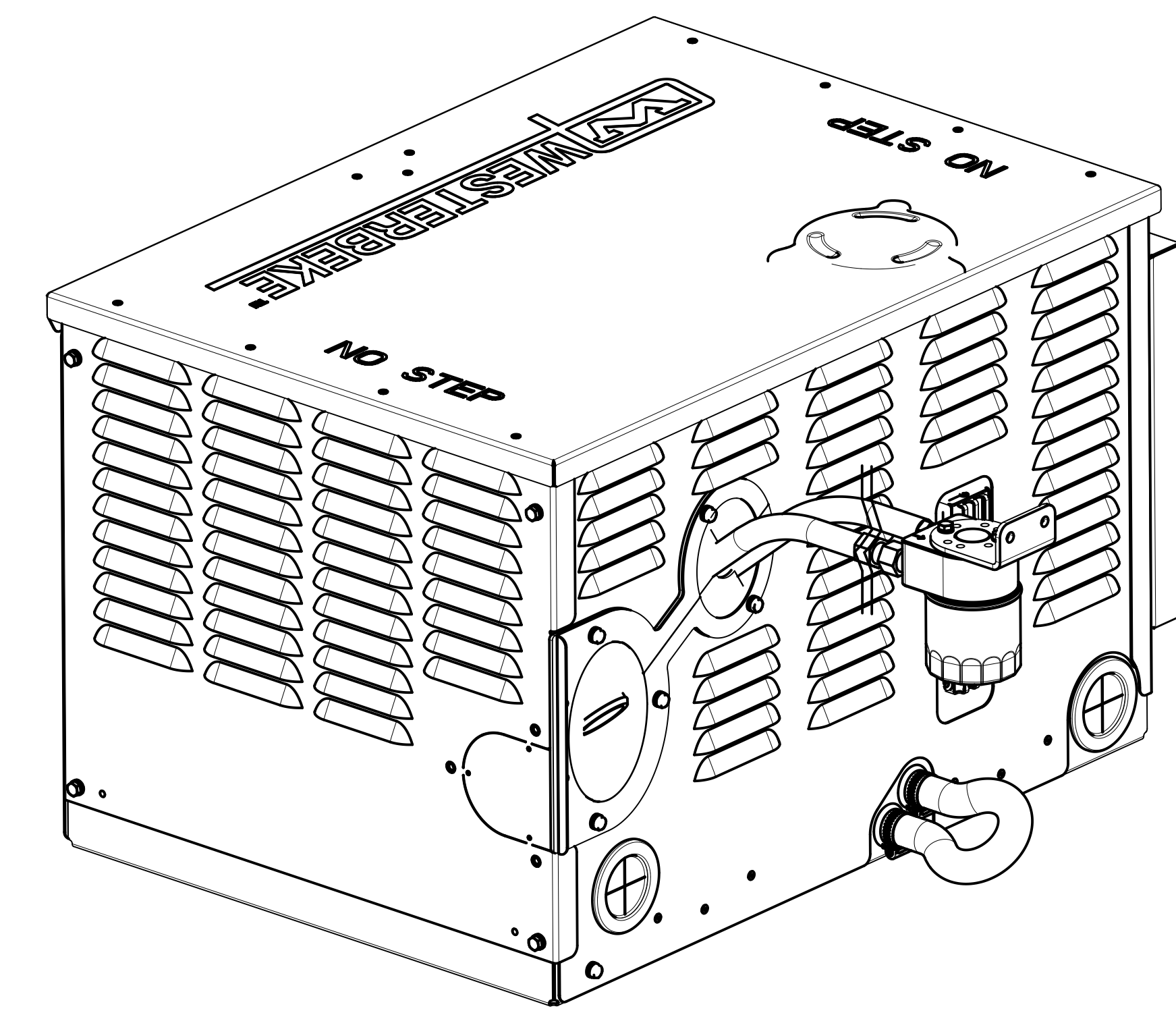
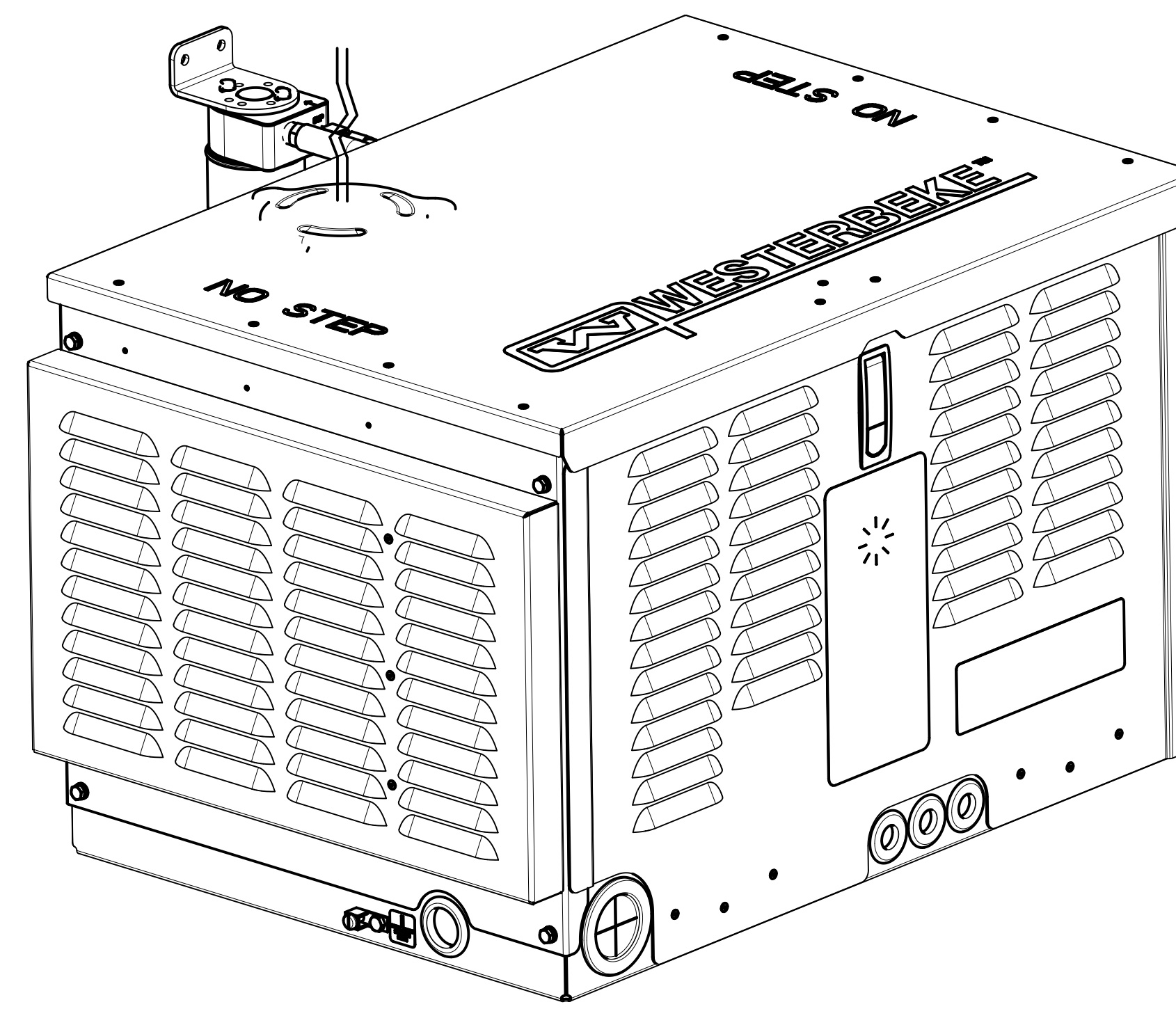
NOTES (UNLESS OTHERWISE SPECIFIED)
1. UNIT OF DIMENSIONS: INCH (MM)
2. TOLERANCE: ±.375 [9.5]

TOLERANCES UNLESS OTHERWISE SPECIFIED DECIMALS: .0005 FRACTIONS: 1/32 HOLE: .0015 SHAFT: .0010 CONCENTRICITY: .001 SURFACE FINISH: 32		WESTERBEKE Engines & Generators 150 JOHN HANCOCK RD. FAIRBORN, MA 02740 (508) 853-7673	
TITLE: DG INSTALL GEN 5.0/4.2 MCGB VENC DRAWN BY: EP DATE: 01/19/2024 APPROVED BY: [Signature] DATE: [Blank]		MATERIAL: [Blank] FINISH: [Blank]	
SCALE 0.250 SHEET: 1 OF 2 DRAWING NUMBER: E 58217		REV: [Blank]	

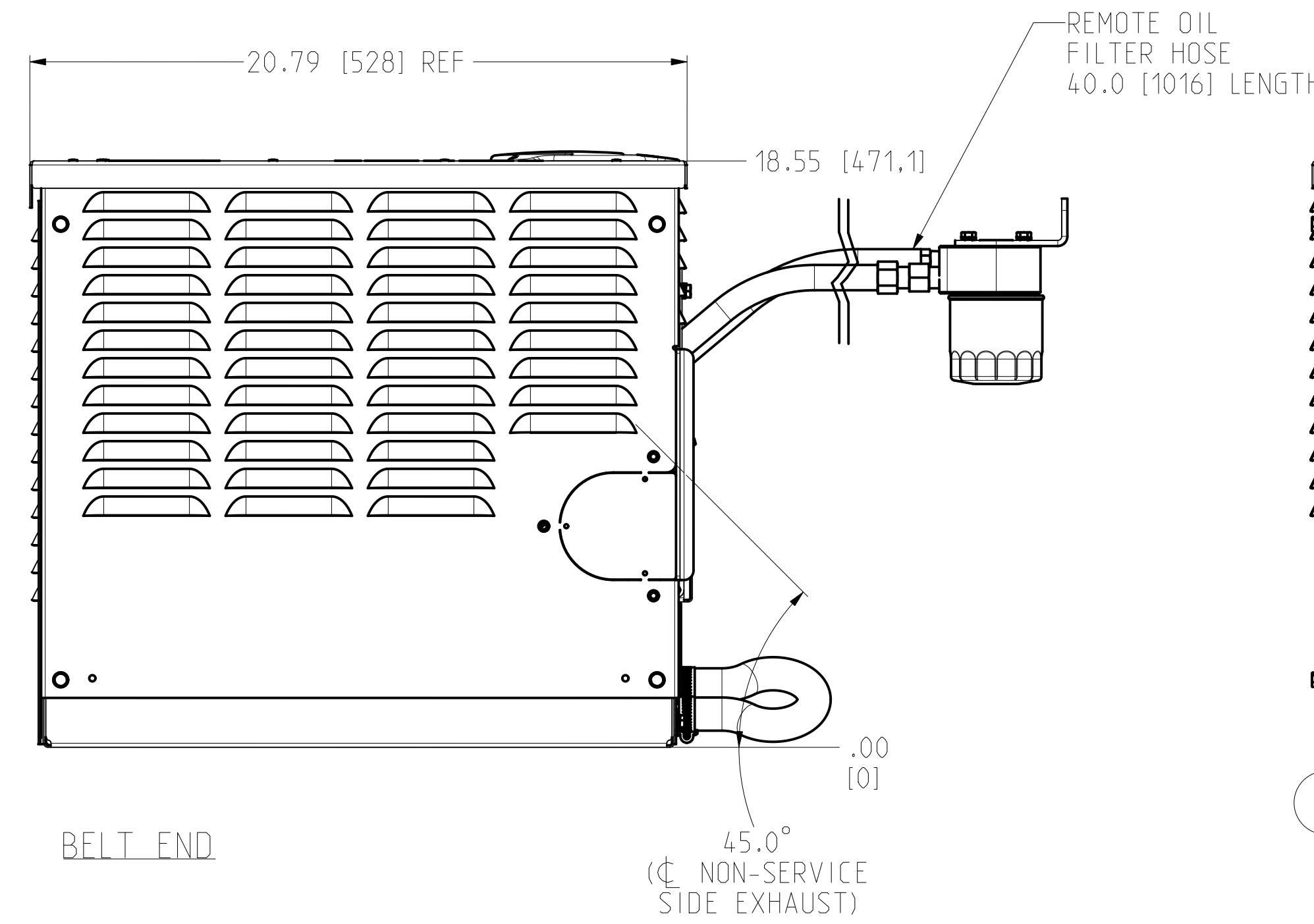
THIS DRAWING IS PROPRIETARY TO WESTERBEKE CORP. AND MAY NOT BE REPRODUCED OR COPIED WITHOUT THE WRITTEN PERMISSION OF WESTERBEKE CORP.



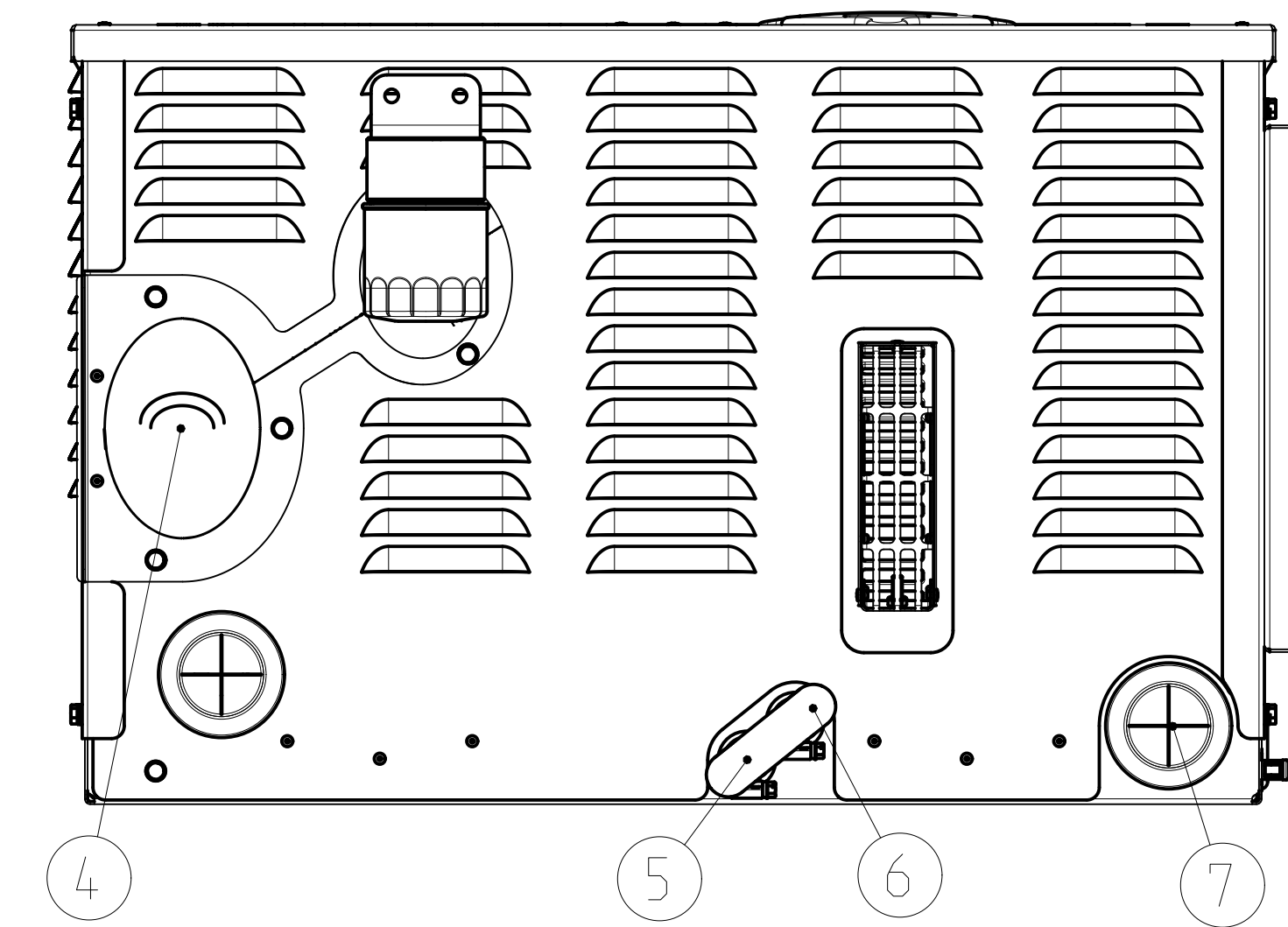
TOP



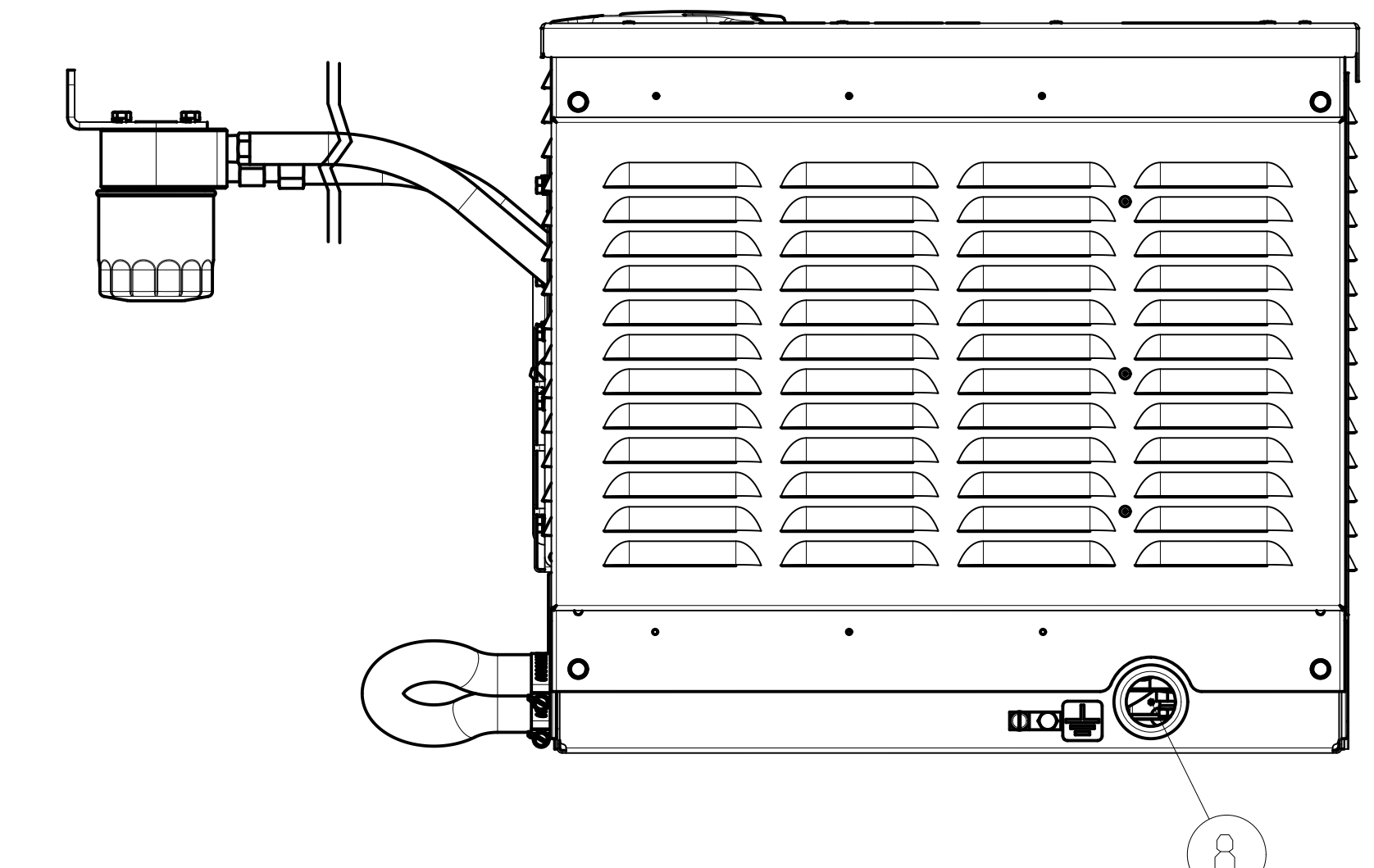
SERVICE SIDE



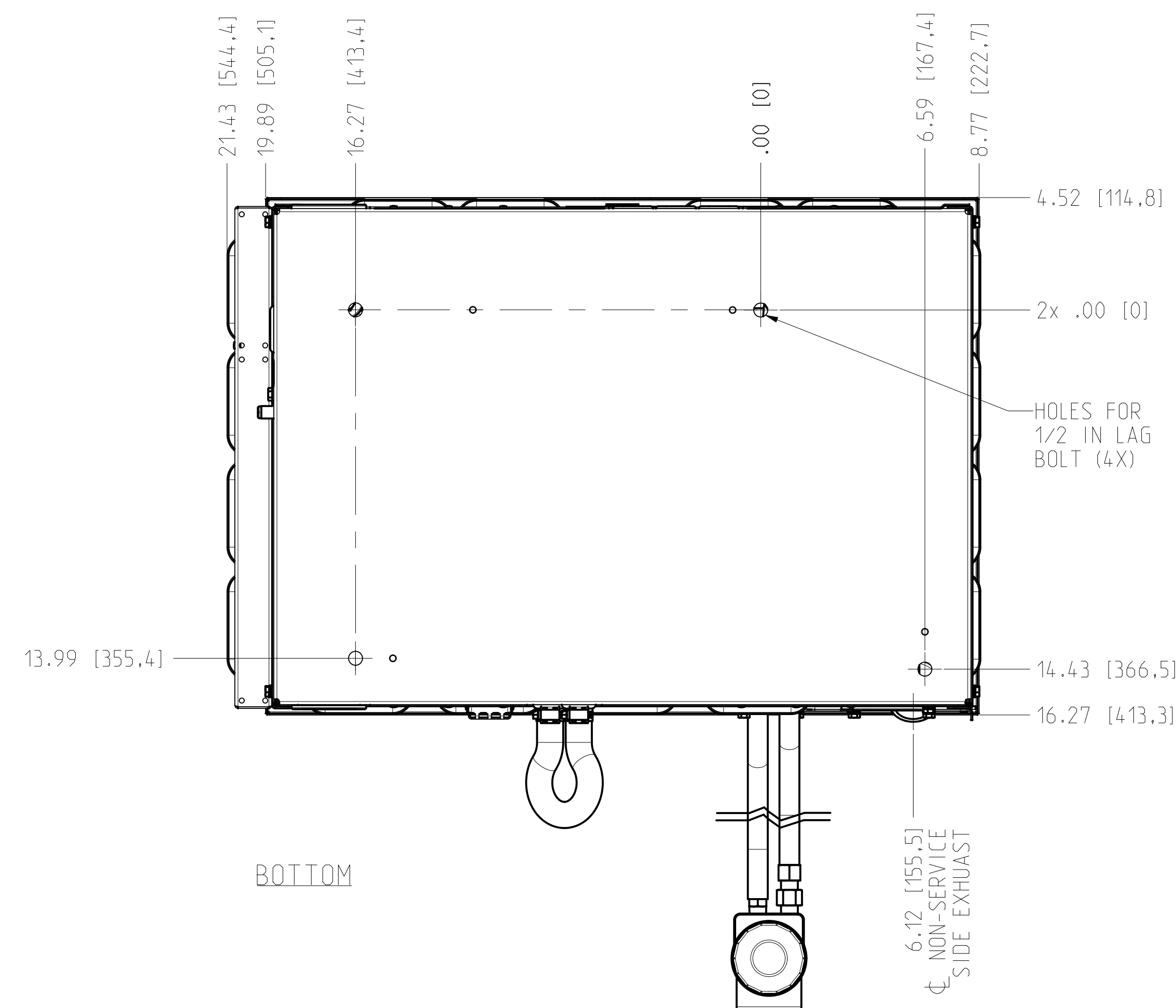
BELT END



NON-SERVICE SIDE



GENERATOR END



BOTTOM

REAR EXHAUST OPTION SHOWN

ITEM	CONNECTIONS
1	REMOTE PANEL CABLE PASS-THROUGH FIRE BOY CABLE PASS-THROUGH
2	FIRE EXTINGUISHER PORT
3	BATTERY (NEG) CABLE PASS-THROUGH BATTERY (POS) CABLE PASS-THROUGH FUEL LINE PASS-THROUGH, REQUIRES 1/8-27 NPT MALE TO CONNECT TO GENSET INTERNALLY
4	WET EXHAUST, REQUIRES 2 IN ID HOSE TO CONNECT
5	RAW WATER OUTLET (TO SIPHON BREAK), REQUIRES 3/4 IN ID HOSE TO CONNECT
6	RAW WATER INLET (FROM SIPHON BREAK), REQUIRES 3/4 IN ID HOSE TO CONNECT
7	AC POWER CABLE PASS-THROUGH COOLANT OVERFLOW PASS-THROUGH, REQUIRES 5/16 IN ID HOSE TO CONNECT TO GENSET INTERNALLY
8	RAW WATER INLET PASS-THROUGH, REQUIRES 3/4 IN ID HOSE TO CONNECT TO GENSET INTERNALLY
9	ACCESS TO A/C CIRCUIT BREAKER

NOTES (UNLESS OTHERWISE SPECIFIED)
1. UNIT OF DIMENSIONS: INCH (MM)
2. TOLERANCE: ±.375 (9.5)

TOLERANCES UNLESS OTHERWISE SPECIFIED DECIMALS: .0005 FRACTIONS: 1/32 HOLE DIA: .0005 SHAFT DIA: .0005 CONCENTRICITY: .001 SURFACE FINISH: 32			
TITLE: DGINSTALL GEN 5.0/4.2 MCGB VENC		MATERIAL: STEEL	
DRAWN BY: EP		DATE CREATED: 03/13/2024	
APPROVED BY: [Signature]		DATE: 03/13/2024	
SCALE: 0.250 SHEET: 2 OF 2		DRAWING NUMBER: 58217	

THIS DRAWING IS PROPRIETARY TO WESTERBEKE CORP. AND MAY NOT BE REPRODUCED OR COPIED WITHOUT A WRITTEN PERMIT FROM WESTERBEKE CORP.